

Type AX/EX Series Power Connection Kits

UL:

Class I, Division 2, Groups A, B, C, D
Class II, Division 2, Groups F, G
Class III, Division 1 and 2

CSA:

Class I, Division 2, Groups B, C, D
Class II, Groups E, F, G (Canada Only)
Class III (Canada Only)
Enclosure Type 4X, Temperature Code
T6 – T3
Class I, Zone 1; Ex e II; T6 – T3 ①

FM:

Class I, Division 2, Groups B, C, D
Class II, Groups E, F, G; Class III
Enclosure Type 4X, IP66,
Temperature Code T ①
Class I Zone 1; AEx e IIC T
-40°C ≤ Tamb ≤ 55°C

ATEX:

Ⓜ II 2 G Ex e IIC T6-T3 ① Gb
Ⓜ II 2 D Ex tb IIIC T80°-T195° C
-40° C ≤ Tamb ≤ +55° C

Applications

- The power connection kit is designed for terminating one heater cable to customer supplied power wiring
- The AXPC100 is designed per NEC requirements and it provides entries compatible with 3/4" NPT conduit entry
 - Standard terminal blocks are sized for maximum 8 AWG power supply wiring
- The EXPC100 is designed per IEC requirements and it provides entries compatible with M25 threaded glands and fittings
 - Standard terminal blocks are sized for maximum 6 mm² power supply wiring
- The HPC100 is a power kit that is offered without an enclosure for the customers who provide the connection enclosure separately
- Kits are used to connect and terminate Nelson self-regulating heater cable series LT-J, LT-JT, HLT-J, XLT-J, LLT-J and CLT-JT ②

Features

- The enclosure must be rated to meet the specifics of the installed environment
- Global-reach industrial-grade universal connection kits for Hazardous Locations
- Certified for NEC/CEC (AX Series) and IEC (EX Series) installations
- Incorporate rugged, non-metallic construction rated for IP66 / NEMA 4X
- Designed with corrosion resistant, anti-static enclosures and components
- Easy entry and connectivity with terminal blocks and DIN rails
- Fit all wattages of Nelson LT-J, LT-JT, HLT-J, XLT-J, LLT-J and CLT-JT series self-regulating heater cables
- Number of Entries: One
- Min Installation Temp: -40°C (-40°F)
- Temp Use Range: -50°C to +55°C (-58°F to 131°F) ambient
- Conductor Size: 1 mm² (18 AWG) to 6 mm² (8 AWG), -LLT 1.5mm² (16 AWG) to 10mm² (6 AWG)
- Voltage Range: 300 Vac Maximum
- Ingress Protection: NEMA 4X, IP66
- Max Amperage: 14A CLT Series, 18A LT Series, HLT Series, 25A XLT Series and 38A LLT Series
- Enclosure Material: Glass reinforced, carbon-loaded, polyester, UV resistant, polymer
- Weight 1 kg (2.2 lbs)

Accessories

- Pipe clamp to secure standoff to pipe (one is included in each kit):
 - PC03 – 80 mm (3 in) and smaller pipe
 - PC12 – 80 mm (3 in) to 12 inch (300 mm) pipe
 - PC20 – 300 mm (12 in) to 20 inch (500 mm) pipe
- Small pipe adapter: HC-SPA – 25 mm (1.0 in) and smaller pipe

Ordering Information

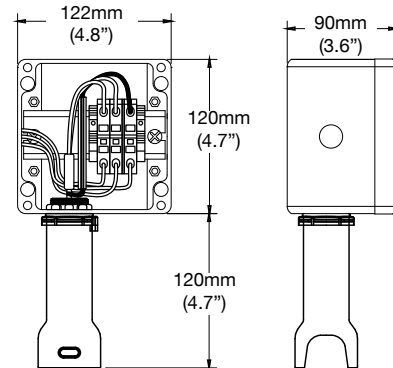
- One kit should be ordered for each type of connection needed
- A pipe clamp of the appropriate size for the pipe must be selected (-3 for PC03, -12 for PC12, -20 for PC20) for each connection kit
- A small pipe adapter kit must be ordered for each kit for installation on 25mm (1 inch) or smaller pipe

① For temperature code, see heating cable or design information

② Ordinary (Unclassified) Location Only



Dimensions in Millimeters (Inches)



Certifications and Compliances

- UL Standard: 50 Ed. 12
- UL Listed: E53501, E49805
- CSA Standards: C22.2 No. 130-16, C22.2 No. 94-R2011, C22.2 No. 213-16
- CSA Certified: LR42103, LR42104
- FM Approved: 3047182
- FM Standard: 3600:2011, 3611:2004, 3616:2011
- ATEX Certified: 07ATEX0124
- IECEx Certified: KEM 07.0041
- Other Standards: IEEE 515-2011, IEEE 515.1-2012, ANSI/ISA 12.12.01-2015, IEC/IEEE 60079-30-1:2015, IEC 60529:2004, 60079-0:2011, 60079-7:2006, 60079-31:2013

Type AX/EX Series Power Connection Kits

UL:
 Class I, Division 2, Groups A, B, C, D
 Class II, Division 2, Groups F, G
 Class III, Division 1 and 2

CSA:
 Class I, Division 2, Groups B, C, D
 Class II, Groups E, F, G (Canada Only)
 Class III (Canada Only)
 Enclosure Type 4X, Temperature Code
 T6 – T3
 Class I, Zone 1; Ex e II; T6 – T3 ①

FM:
 Class I, Division 2, Groups B, C, D
 Class II, Groups E, F, G; Class III
 Enclosure Type 4X, IP66,
 Temperature Code T ①
 Class I Zone 1; AEx e IIC T
 -40°C ≤ Tamb ≤ 55°C

ATEX:
 ② II 2 G Ex e IIC T6-T3 ① Gb
 ② II 2 D Ex tb IIIC T80°-T195° C
 -40° C ≤ Tamb ≤ +55° C

Selection Table

Kit Contents	AXPC100 ②	HPC100	EXPC100 ②
Junction Box, Lid, and Terminal Block	with ¾" NPT entry	N/A	with M25 threaded entry
Standoff	1	1	1
6" Guide Tubes	2	2	2
Enclosure Adapter	1	1	1
Silicone End Termination Fitting	1	1	1
Silicone Power Termination Fitting	1	1	1
Silicone Adhesive	1	1	1
Locknut	1	1	1
Cable Grommets	1	1	1
Green Wire Tubing	1	1	1
Cable Tie	1	1	1

NELSON

INDUSTRIAL HEATING SYSTEMS: INTEGRAL CONNECTION SYSTEMS

① For temperature code, see heating cable or design information.

② Suffix **-LLT** for use with LLT Long Line Self-Regulating Heaters.