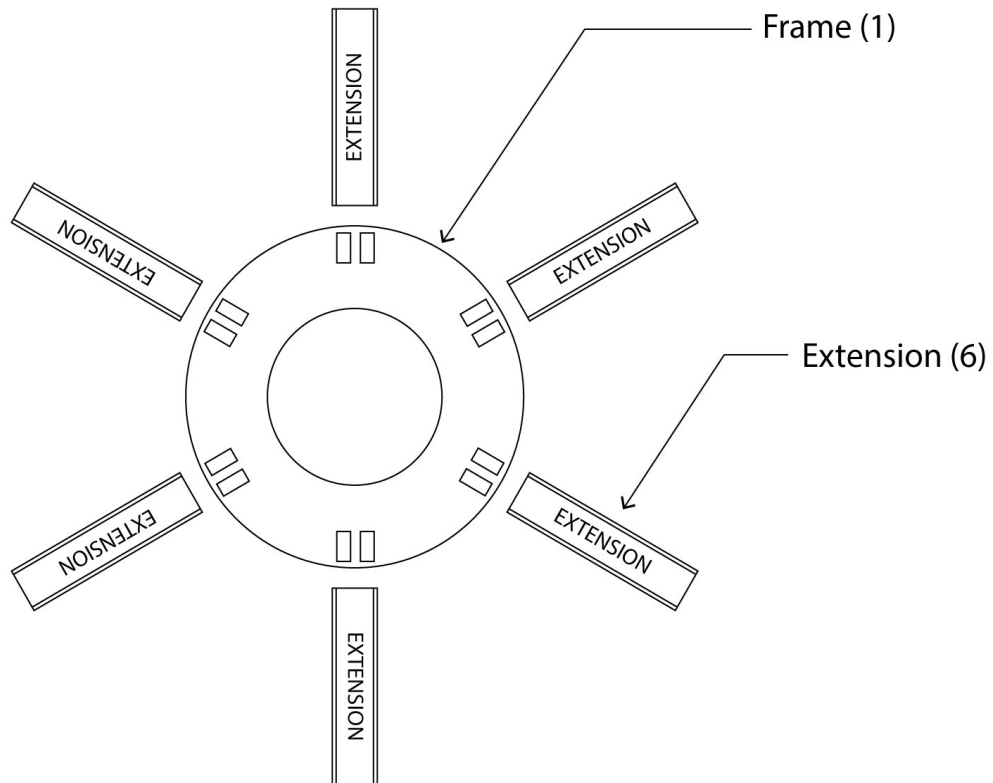


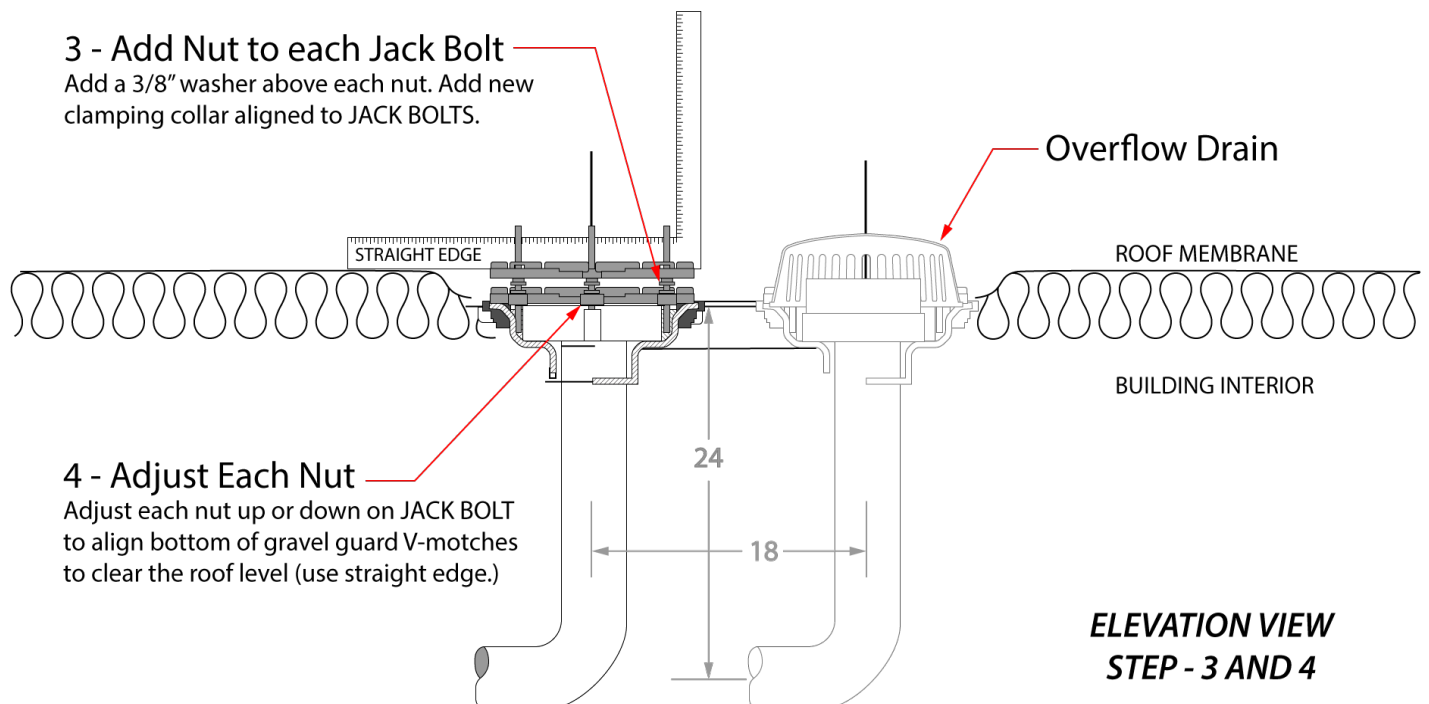
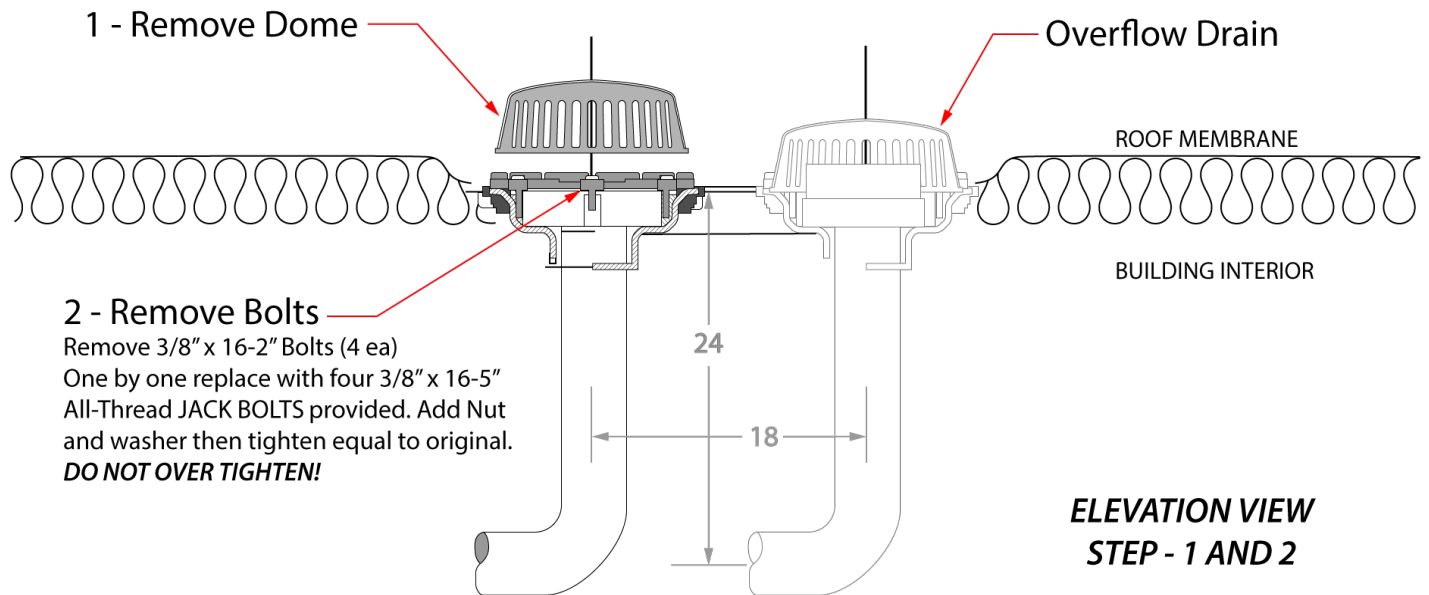
Roof Drain De-icing System

Product User's Guide



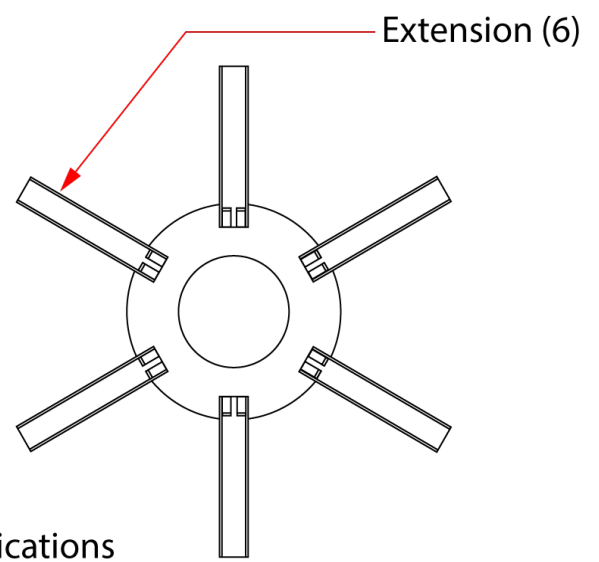
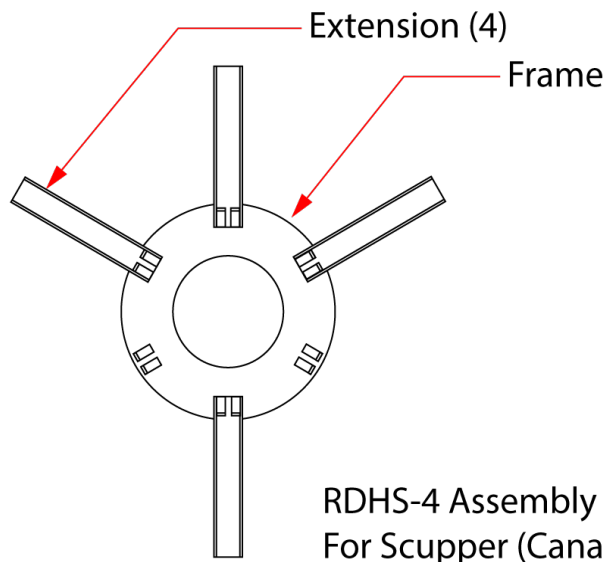
Roof Drain De-icing System

Product User's Guide

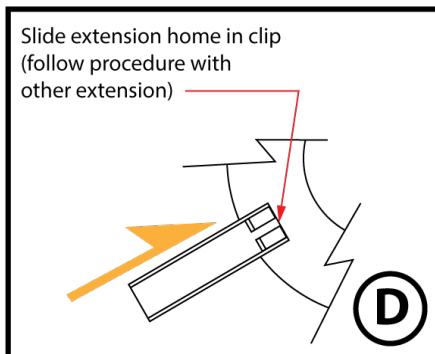
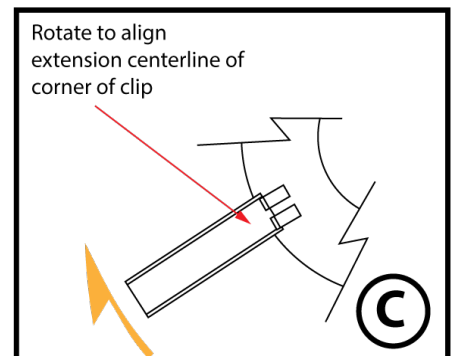
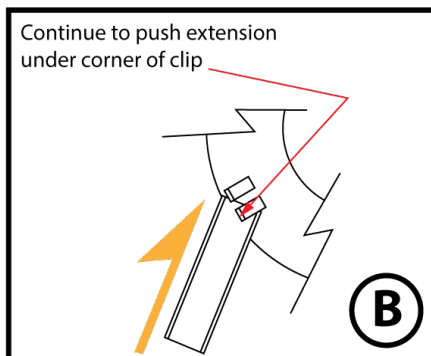
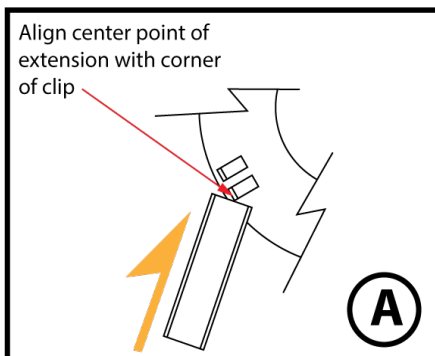


Roof Drain De-icing System

Product User's Guide



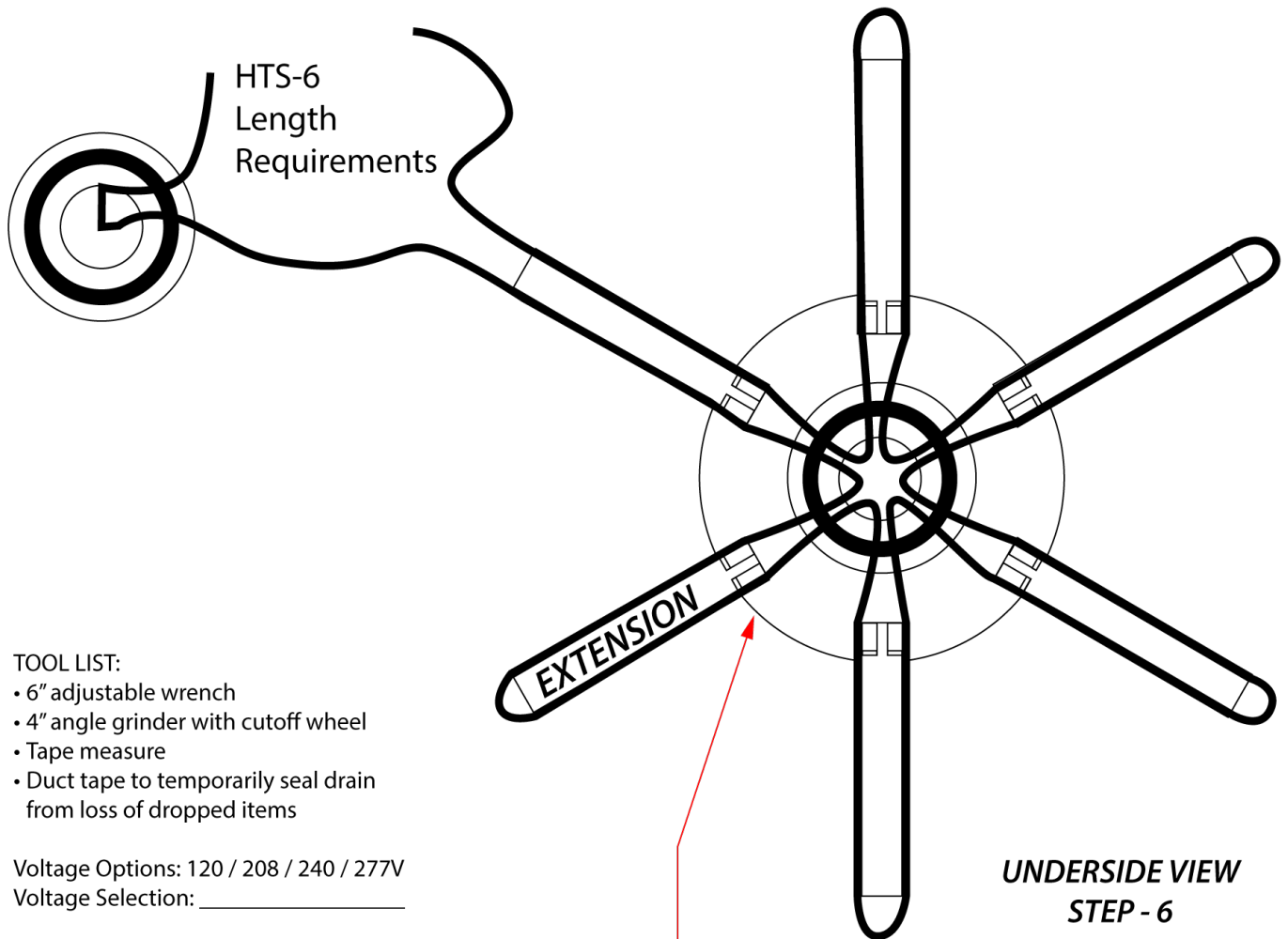
5 - Assemble the RDHS-6 as shown (underside view)



**UNDERSIDE VIEW STEP - 5
RDHS-6 ASSEMBLY FOR
ROOF DRAIN APPLICATIONS**

Roof Drain De-icing System

Product User's Guide



**UNDERSIDE VIEW
STEP - 6**

TOOL LIST:

- 6" adjustable wrench
- 4" angle grinder with cutoff wheel
- Tape measure
- Duct tape to temporarily seal drain from loss of dropped items

Voltage Options: 120 / 208 / 240 / 277V

Voltage Selection: _____

Cable Product Selection:

Mfgr: _____

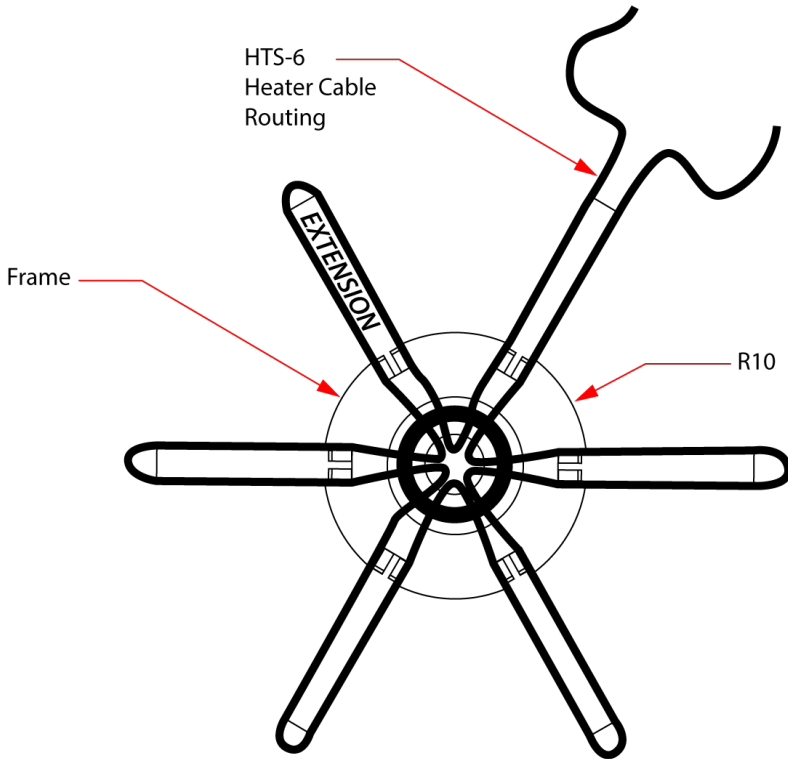
Model: _____

CABLE LENGTH CALCULATION:

RDHS-6 Cable Length	20-LF	20-LF
ADD 2X Down Primary Drain to Warm Zone	V-LF	-LF
ADD 2X Down Overflow Drain to Warm Zone	W-LF	-LF
ADD 1X Cable Length RDHS-6 to J-Box	X-LF	-LF
ADD 1X Cable Length Between Drains	Y-LF	-LF
ADD 1X Cable Wrap Inside Prim & O.F. Drains	Z-LF	-LF
TOTAL Cable Length is (25+V+W+X+Y+Z)	?-LF	-LF

- RDHS-6**
- Roof drain de-icing jig with heater cable routed
 - Extensions (6) - each may be shortened to avoid structural obstructions before cable installation
 - Make cuts with 4" grinder w/ cutoff wheel and de-bur the cuts

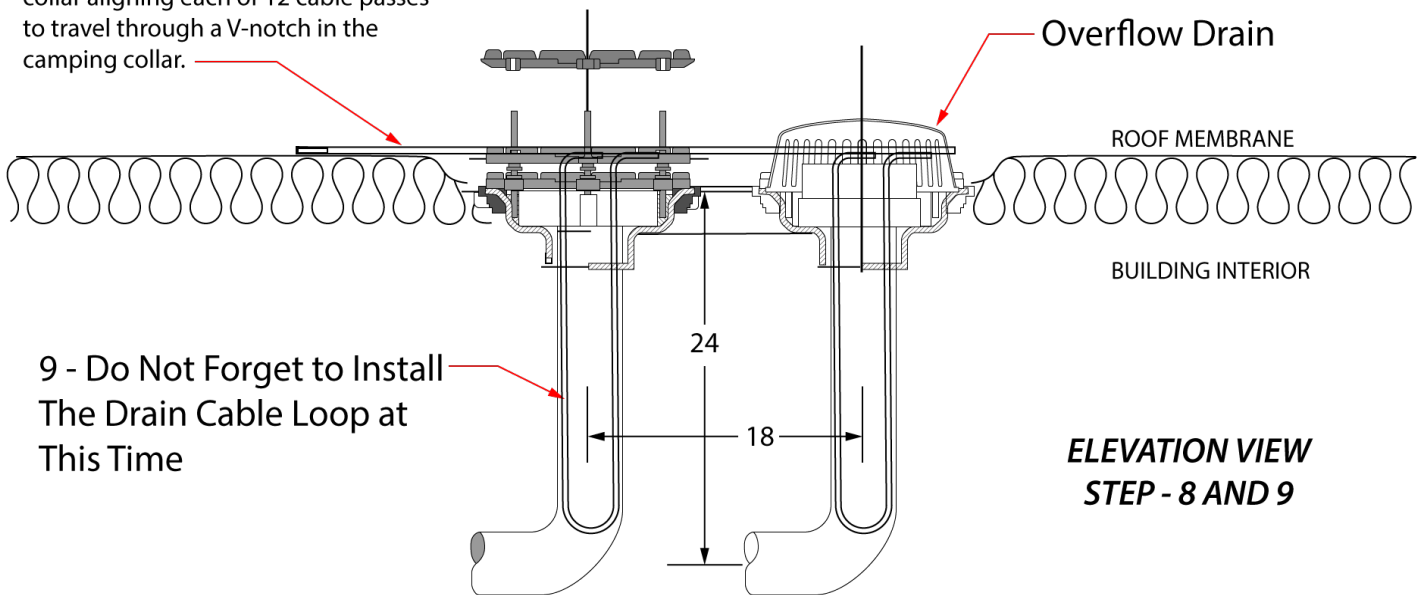
Roof Drain De-icing System Product User's Guide



**UNDERSIDE VIEW
STEP - 7**

8 - Install the Cable

Install the cabled RDHS-6 / RDHS-4 cable side **DOWN** on top of clamping collar aligning each of 12 cable passes to travel through a V-notch in the clamping collar.



**9 - Do Not Forget to Install
The Drain Cable Loop at
This Time**

**ELEVATION VIEW
STEP - 8 AND 9**

Roof Drain De-icing System

Product User's Guide

10 - Add the THIRD Clamping Collar

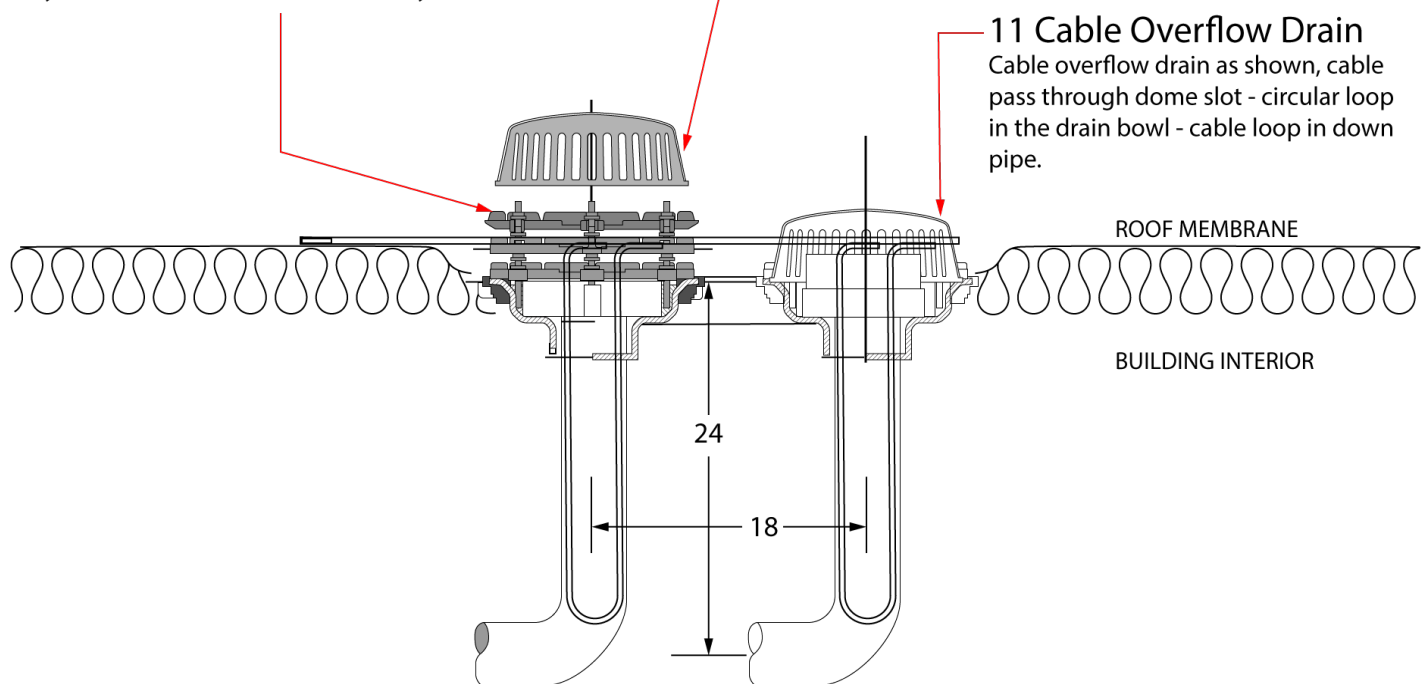
Add the third clamping collar to the assembly as shown - add remaining washers followed by nuts - SNUP UP the nuts minimally

12 - Re-install Domes -

Prep Cable for Power & End Seal

11 Cable Overflow Drain

Cable overflow drain as shown, cable pass through dome slot - circular loop in the drain bowl - cable loop in down pipe.



ELEVATION VIEW
STEP - 10, 11, and 12