



We Manage Heat™

General Purpose Snow Sensor MODEL CIT™-I SNOW SENSOR

BENEFITS

- Minimum snow melting costs
- No supervision required

FEATURES

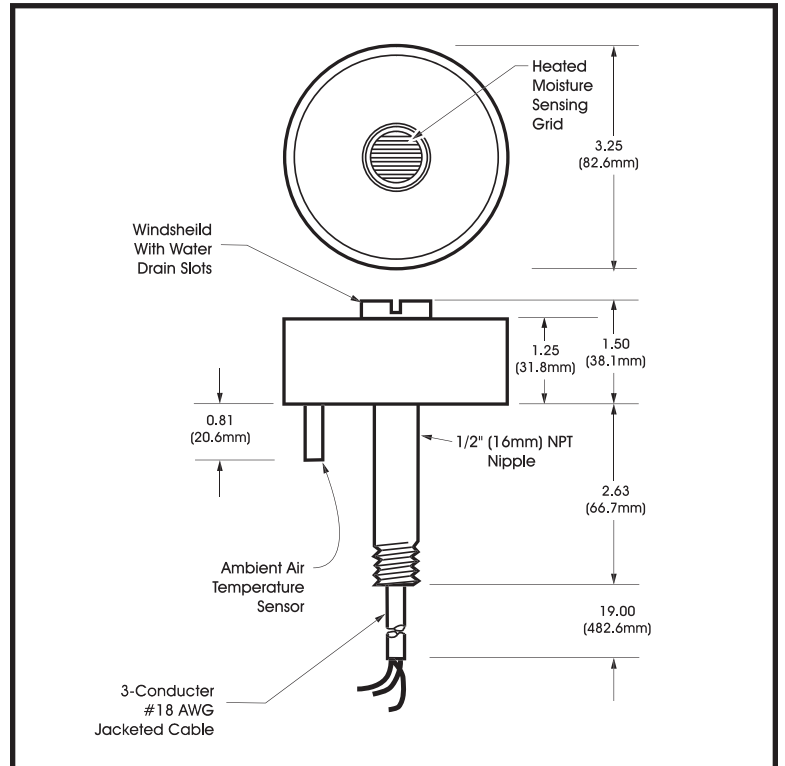
- Reliable snow sensing
- Senses both temperature and precipitation
- Application flexibility
- Simple installation
- Field proven in thousands of installations

DESCRIPTION

The CIT-1 Snow Sensor detects falling or blowing precipitation as snow at temperatures below 38° F (3.3°C). The CIT-1 provides the industry's most versatile and cost effective automatic snow melting control when used with an APS-3A, APS-3B, or APS-4 Control Panel.

Reliability and sensitivity are key CIT-1 features. The solid state design, combined with a rugged aluminum housing and epoxy potting, ensure many years of trouble free service. Precision precipitation and temperature sensors assure snow detection accuracy.

Typical applications include controlling snow melting systems for sidewalks, doorways, stairs, loading docks, ramps for the physically challenged and parking garages. Easy installation is another key CIT-1 feature. Low voltage operation, up to 2000' (609.6m) separation from the control panel, mast or roof mounting, and noncritical extension wiring are just a few of the features making this possible.

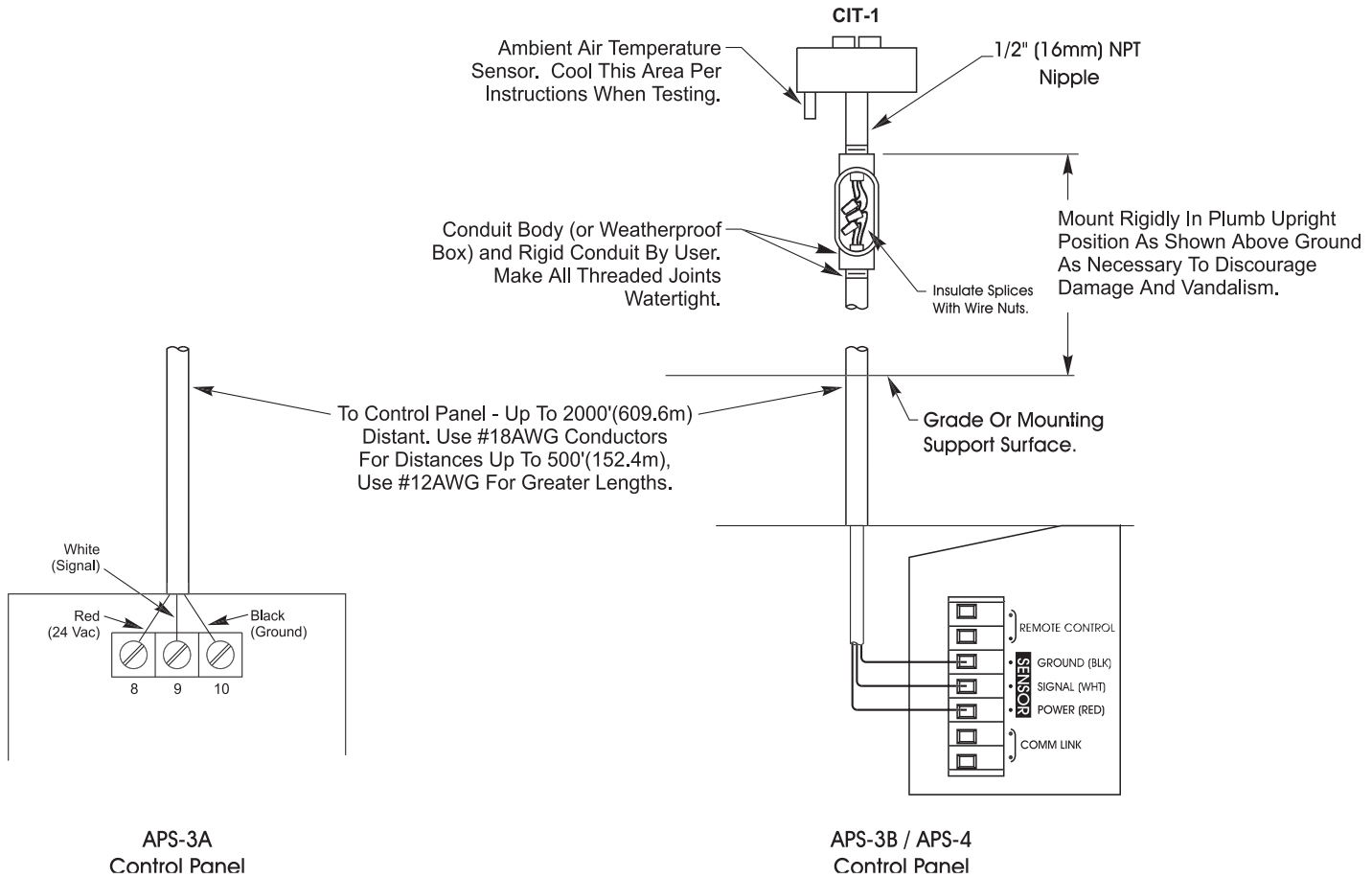


ENVIRONMENTAL TECHNOLOGY, INC.
1302 HIGH STREET
SOUTH BEND, IN 46601 USA

continued...

INSTALLATION

Choose an unobstructed, elevated location exposed to snowfall.



ORDERING INFORMATION

Order Number
10001

Description
CIT-1 Snow Sensor

LIMITED WARRANTY

ETI's two year limited warranty covering defects in workmanship and materials applies. Contact Customer Service for complete warranty information.

DISCLAIMER

Environmental Technology, Inc. makes no representations or warranties, either expressed or implied, with respect to the contents of this publication or the products that it describes, and specifically disclaims any implied warranties of merchantability or fitness for any particular purpose. Environmental Technology, Inc. reserves the right to revise this publication, and to make changes and improvements to the products described in this publication, without the obligation of Environmental Technology, Inc. to notify any person or organization of such revisions, changes or improvements.



1302 High Steet, South Bend, IN 46601 (574) 233-1202 / Fax (574) 233-2152 / Toll Free (800) 234-4239 / Toll Free Fax (888) 234-4238
<http://www.networketi.com> / e-mail: helpdesk@networketi.com

The ETI logo, Snow Switch, Floorstat, Tracon, We Provide Managed Heat, We Manage Heat are registered trademarks of Environmental Technology, Inc. 99+, ADH, APS, CIT, EDH, EUR, ES, FMC, FWT, GIT GPT, HSC, LCD, RCD, RCU, RMC and SIT are Environmental Technology, Inc. trade marks. Copyright © 2000 Environmental Technology, Inc. All rights reserved.

7/03 19036